

OMNI CONTROL

TOUCH LED CONTROLLER FOR MIRRORS

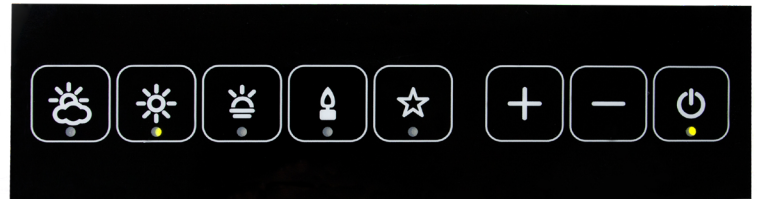


PRODUCT OVERVIEW

Input Voltage: 12 VDC / 24 VDC
Operating Temperature: -30 °C (-22 °F) ~ +40 °C (+104 °F)
Location: Dry location only (standard)

COMPONENTS:

- Omni Control
- Low iron mirror glass that is less than 0.2" (6 mm) in depth
- LED lighting (LumiSheet / Hard PCB lighting)
- Power adapter
- Double-sided tape (supplied)



! SAFETY

- Only install in dry environments
- Handle with care to ensure electronic components are not damaged during installation
- Use only with a Class 2 power adapter
- Omni Controller works only with low iron glass less than 0.2" (6 mm) in depth

INSTALLATION

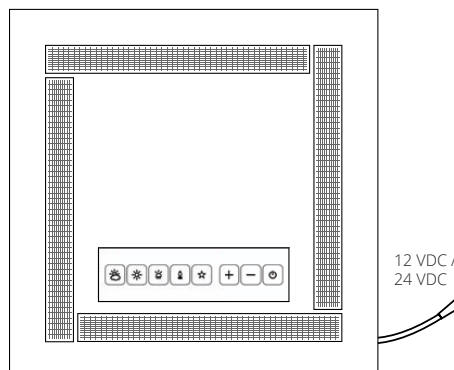
MOUNTING: Lighting

- Mount lighting products as specified in product installation guide
- For lighting behind mirror (with silvering removed), speak with your DLC representative

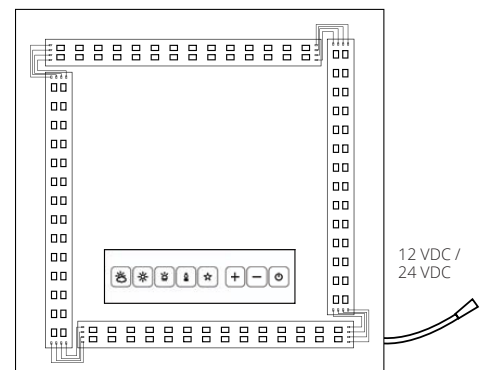
(See examples)

Contact your DLC representative before attempting any other mounting option.

LumiSheet Example
 Surface brightness: ~ 3500 Lux



Hard PCB LED Example
 Surface brightness: ≤ 10,000 Lux

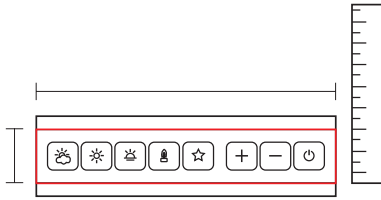


MOUNTING: Omni Control Touchpad

Omni Control touchpad is designed to be placed behind mirror glass. For the unit to be seen through the mirror glass, silvering needs to be removed where the touchpad will be placed.

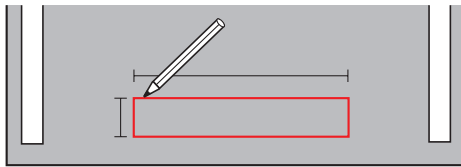
1. Determine, then measure, the area of the touchpad you would like seen through the mirror glass ("touchpad window"). This will be the size of the area on the mirror where you will remove silvering. Ensure that:

- Touch buttons are visible through the touchpad window
- The top and the bottom of the Omni Control touchpad has room for double-sided tape to be placed on them. The taped portions of the touch pad should be placed above



2. Once you have dimensions for the touchpad window, mark in pencil where it will be positioned on the mirror back.

Mirror back



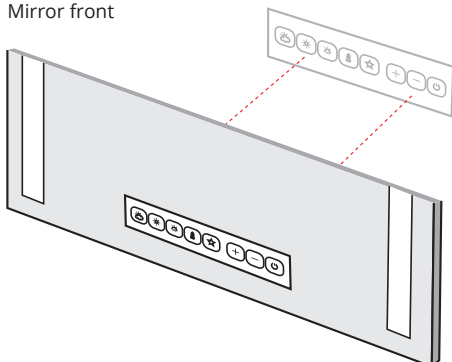
3. Remove mirror silvering where the touchpad window will be placed.

Mirror back



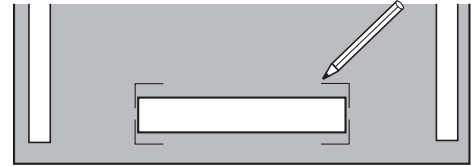
4. Line up the Omni Control touchpad to the touchpad window

Mirror front

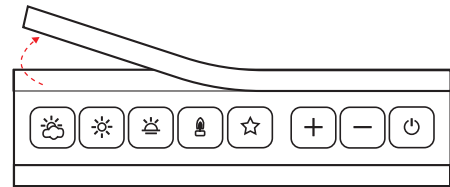


5. Mark in pencil the corners where Omni Control touchpad will be placed on the mirror back.

Mirror back



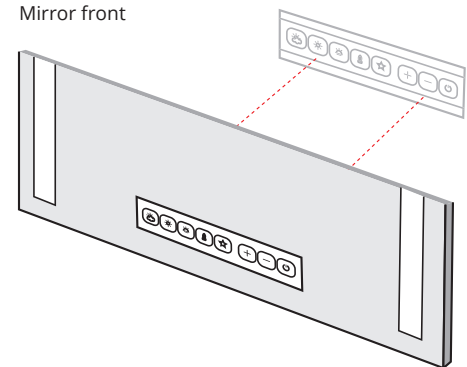
6. Place the supplied double-sided tape on both the top and bottom edge of the front of the Omni Control touchpad. Remove cover from double-sided tape.



7. Place the Omni Control touchpad on the mirror back, tape side down. Gently push down to affix the Omni Control to the mirror.

Make sure there is no or minimal air gap between the front surface of the Omni Control touchpad and the surface of the glass.

Mirror front



CARE & HANDLING

- Warning: Do not remove or reposition Omni Control after it has been affixed to the mirror back. Doing so will damage the Omni Control unit, making it unusable
- Only use the double-sided tape supplied by DLC to affix Omni Control to the mirror back. Other tapes may be too thick to allow the Omni Control to work properly

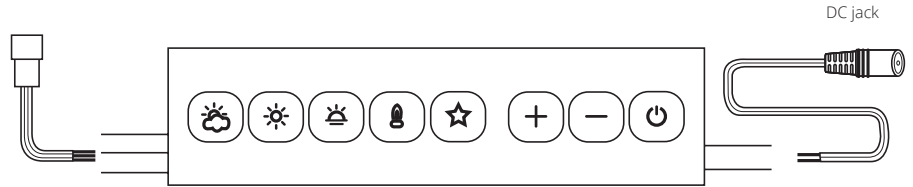
WIRING:

Determine your system components, including a power adapter, as well as LED lighting. Omni Control works for both 12 VDC (max 40 W) or 24 VDC (max 80 W) systems.

Use only UL certified power adapters with the power output that coordinates with your input voltage.

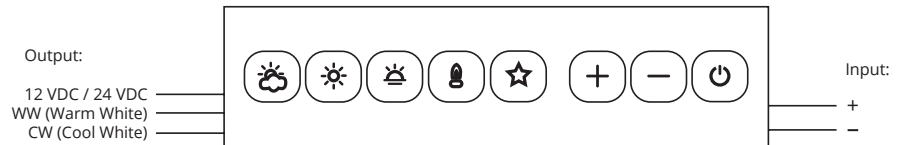
Wiring With Plug-In Power Adapters:

Ask your DLC representative for wires with a DC jack. Use a plug-in adapter to connect the Omni Control system to your power source and LED lighting.



Wiring With Hardwire Power Adapters:

1. Turn off power to your system at the main breaker
2. Connect input to power source
3. Connect output to LED lighting
4. Check connections and turn on power at the main breaker



CARE & HANDLING

- Diagrams are examples only. Be sure to consult specification and installation guides for all components in your system. Always ensure you are complying with NEC and local regulations
- Avoid voltage drop by keeping cords from the power adapter as short as possible (standard is 10' at 20 AWG). If the product must be installed far from the power adapter (beyond 20'), cut off the DC plug and use a large gauge (>16 AWG) cord to avoid a voltage drop

CALIBRATION:

Omni Control is self-calibrating upon start up. To calibrate or reset calibration, unplug Omni Control from the power source and then plug it back in.

CARE & HANDLING

- If Omni Control is not responding to touch, reset calibration by disconnecting the unit from the power source and plugging it back in