







# LumiSheet

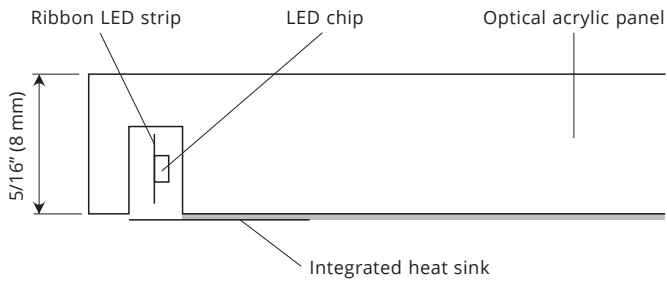
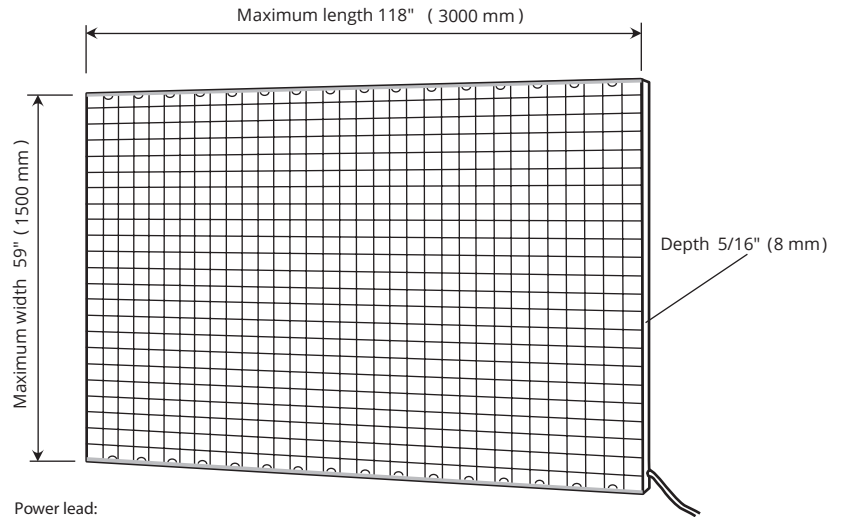
Original LED Light Panel



LumiSheet has revolutionized retail and architectural lighting. This frameless, edge-lit LED light panel produces a bright, even light across its entire surface. It can be ordered in any shape, size, and color and can be put virtually anywhere. The applications are endless.








LumiSheet is lasting, brilliant, and adaptable.

FEATURES		
 Custom Applications	<ul style="list-style-type: none"> <li>✓ Available in custom sizes, shapes, and curves</li> </ul>	
 Lit Walls	<ul style="list-style-type: none"> <li>✓ Full color customization</li> <li>✓ Frameless</li> </ul>	
 Lit Ceilings	<ul style="list-style-type: none"> <li>✓ Slim (8 mm, optional 6 mm thick)</li> <li>✓ 3D v-cutting technology</li> </ul>	
 Lit Fixturing	<ul style="list-style-type: none"> <li>✓ High brightness (up to 10 000 lux)</li> <li>✓ High CRI available</li> </ul>	
 Lit Shelving	<ul style="list-style-type: none"> <li>✓ Long LED lifespan (70 000+ hours)</li> <li>✓ Energy saving and maintenance free (70% energy savings over traditional lighting)</li> </ul>	
<ul style="list-style-type: none"> <li>✓ Superior consistent light quality</li> <li>✓ Advanced 3-year warranty</li> </ul>		

**PROFILE VIEW**

**FRONT VIEW**


Power lead:  
Power cord location is customizable

**SPECIFICATIONS**

Electrical			
<b>Input Voltage</b>	12 VDC	24 VDC (optional)	
	Standard	CCT	RGB
<b>Power Consumption</b>	4.0 W/ft	5.0 W/ft	5.0 W/ft 4.3 W/ft (static red, static green, or static blue)
<b>Wire Size</b>	20 AWG 2 wire	20 AWG 2 wire	22 AWG 4 wire
<b>Wiring</b>	Each panel must have direct connection to power supply. Do not wire panels in series		
<b>Connector</b>	Standard 5' (1500 mm), optional 10' (3000 mm)		
	2.1 / 5.5 mm barrel plug	Bare wire	Bare wire
<b>Certification</b>	UL recognized component (E362079), UL listed (E346146)		
Physical			
	Standard	CCT	RGB
<b>Color Temperature</b>	3000 K  3500 K  4100 K 	5300 K  6300 K 	CCT (2700 K - 6500 K)   RGB  Static red Static green Static blue
<b>Standard CRI</b>	80		
<b>High CRI</b>	≥ 90 available (12 VDC only) in 3000 K, 4100 K, 5300 K		
<b>Mounting</b>	Mounted with screws, Z-clips or edge clips / standoffs		
<b>Lumen Output (lm/W)</b>	88 (3000 K), 98 (3500 K), 100 (4100 K), 106 (5300 K), 99 (6300 K)		
<b>Operating Temperature</b>	-30 °C (-22°F) ~ +40 °C (+104 °F)		
<b>Environment</b>	Dry location only (indoor)		
<b>Thickness</b>	5/16" (8 mm)	Optional 1/4" (6 mm)	
<b>Minimum Size</b>	2" (50 mm) L x 2" (50 mm) W		
<b>Maximum Size</b>	118" (3000 mm) L x 59" (1500 mm) W		
<b>Weight</b>	1.95 lbs / sq ft (9.54 kg / sq m)		

### SPECIFICATIONS BY SIZE

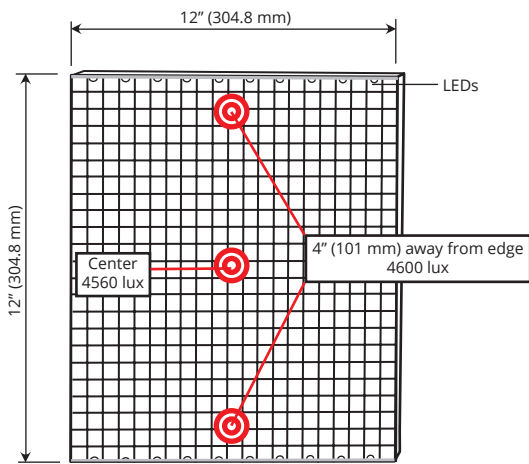
Size (inch)	Size (mm)	LED Strip	Average Surface Brightness (Lx)	Power Consumption (W)
6 x 6	150 x 150	1 side	6000	2
12 x 12	300 x 300	1 side	3000	4
24 x 24	600 x 600	2 sides	3200	15
36 x 36	900 x 900	2 sides	2600	23
48 x 48	1200 x 1200	2 sides	2200	30
48 x 96	1200 x 2400	2 sides	2200	60
Ø 6	Ø 152	all around	19 000	5.8
Ø 12	Ø 300	all around	13 000	11.2
Ø 24	Ø 600	all around	5400	24
Ø 36	Ø 900	all around	4500	36
Ø 48	Ø 1200	all around	3500	48

### ORDER INFORMATION

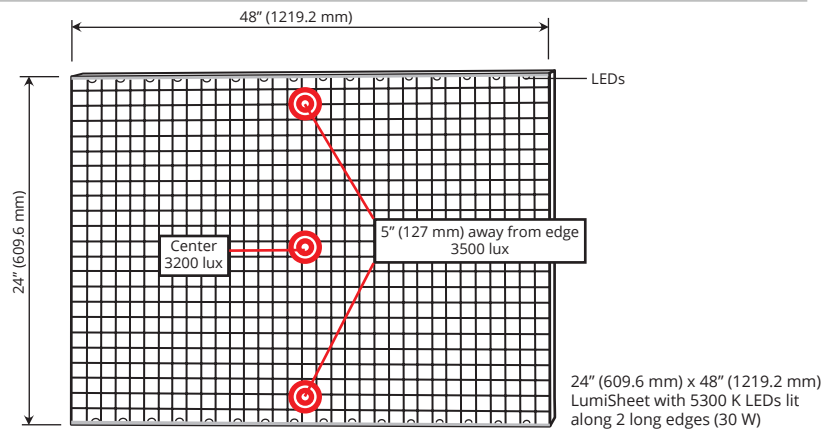
Series #	Size	Color Temperature		Illuminated Face Option	Cable Length	LED Location
<b>LLP12</b> 8 mm depth 12 V	CS: Custom shape (drawing may be required)	<b>3000 K</b>	CCT (2700 K - 6500 K)	SFI: Single face DFI: Double face	WL15: 5' (1500 mm) power cord with 2.1 / 5.5 mm barrel plug	L1: LEDs along 1 long edge L2: LEDs along 2 long edges S1: LEDs along 1 short edge S2: LEDs along 2 short edges S4: LEDs along all 4 edges CI: Custom illumination
<b>LLP24</b> 8 mm depth 24 V		<b>3500 K</b> <b>4100 K</b> <b>5300 K</b> <b>6300 K</b>				

### TYPICAL SURFACE BRIGHTNESS MEASURE

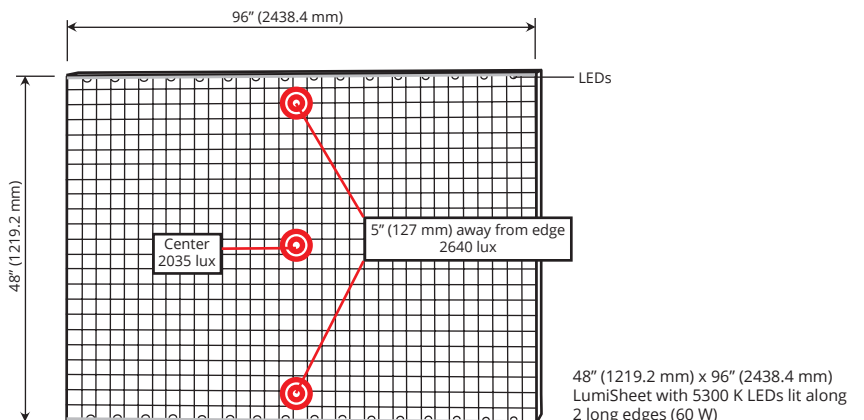
Brightness readings are for reference only. Actual reading may differ for different LEDs, LGPs or even different meters



12" (304.8 mm) x 12" (304.8 mm) LumiSheet with 5300 K LEDs lit along 2 long edges (8 W)



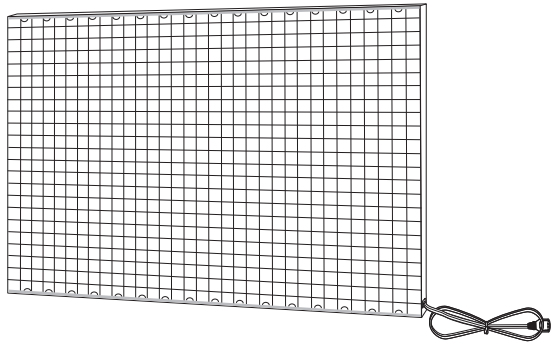
24" (609.6 mm) x 48" (1219.2 mm) LumiSheet with 5300 K LEDs lit along 2 long edges (30 W)



48" (1219.2 mm) x 96" (2438.4 mm) LumiSheet with 5300 K LEDs lit along 2 long edges (60 W)

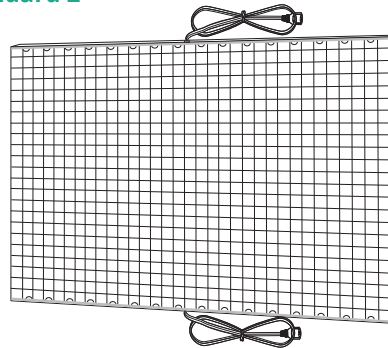
**TYPICAL POWER CORD EXITS**

**Standard 1**



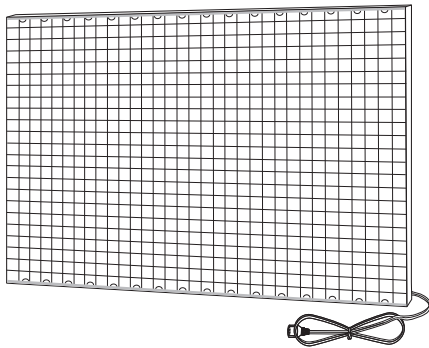
Power cord exits from the corner of the short side

**Standard 2**



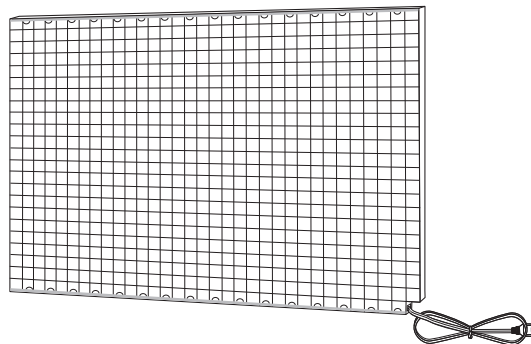
For LumiSheet longer than 6' the power cord exits from the middle of each long side

**Option 1**



Power cord exits from the back face

**Option 2**



Notched power cord exit

Notes:

- Acrylic and other manufacturing components and methods may contribute to an expansion or contraction of sizes based on environmental or tooling factors. Please allow a minimum of  $\pm 1/8"$  (3.175 mm) to compensate for any changes in the outside dimensions of this product
- Our tunable white LEDs utilize separate warm and cool white channels for color mixing. 3rd party controls must account for proportional balancing/mixing of the two channels. Example: 3000 K (Warm White) = 3000 K 100% ON & 6500 K (Ultra White) OFF, Balancing/Mixing of both = 3000 K 50% ON & 6500 K 50% ON, 6500 K = 3000 K OFF & 6500 K 100% ON. Both channels cannot be allowed to operate at 100% simultaneously as the LED are not engineered to handle such high current
- LED Kelvin temperatures listed in this literature have been derived from raw LED data. Actual Kelvin ratings can vary +/- 200 K based upon environmental conditions including but not limited to inclusion into LGPs and the use of diffusion materials. A precise ANSI bin control system is utilized to help maintain LED conformity and to minimize variances
- DLC strives to maintain tight control over specification factors. However, specifications are subject to change on rare occasion. These changes may not be reflected here