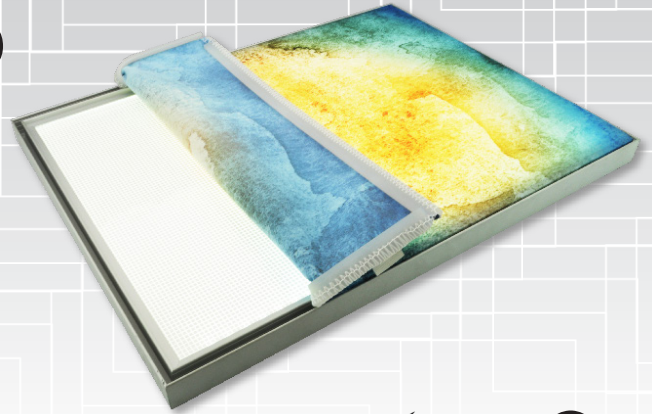


LumiFabric 1" Deep

Slim, Frameless Fabric Light Box

LIT WITH LUMISHEET

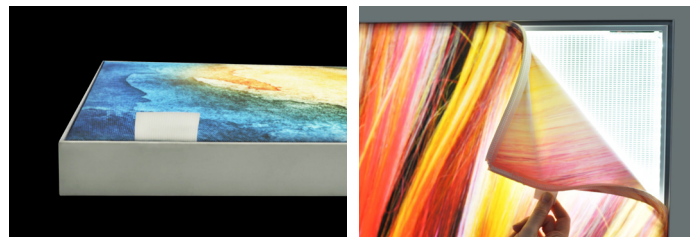


Our slimmest profile in a frameless fabric light box. LumiFabric 1" is lit with our original LumiSheet or lightweight LumiSheet Flex 2 mm LED light panels. It provides even, hot spot free fabric backlighting for a high impact display. Ideal for wall mounting applications.

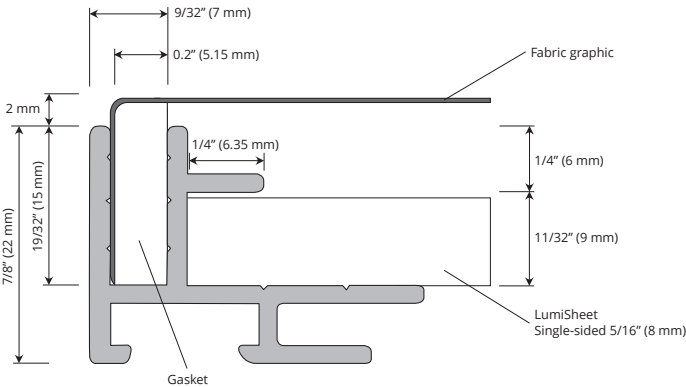
Housed in our #18 frame.

FEATURES

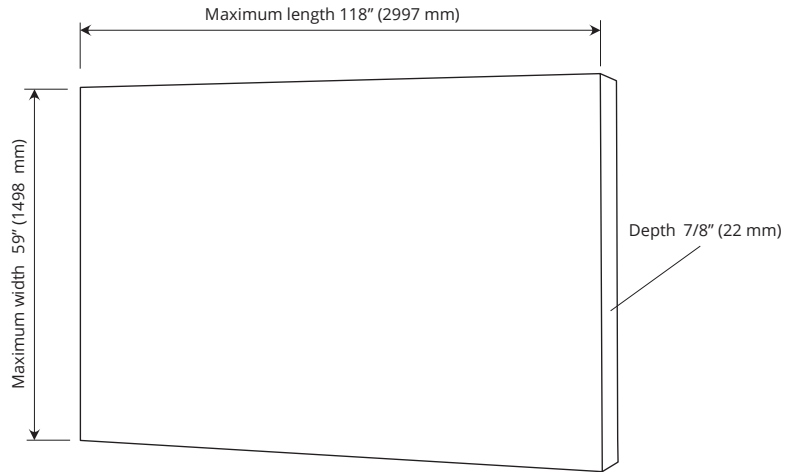
- ✓ Built to size
- ✓ Low profile system
- ✓ Vibrant graphics
- ✓ Change graphics with ease
- ✓ Even & consistent illumination
- ✓ Energy saving and maintenance free (70% energy savings over traditional lighting)
- ✓ Superior consistent light quality
- ✓ Advanced 3-year warranty








PROFILE VIEW



FRONT VIEW



SPECIFICATIONS

Electrical	
Input Voltage	12 VDC 24 VDC (optional)
Power Consumption	4.0 W/ft (standard), 5.0 W/ft (high output)
Wire Size	20 AWG 2 wire
Wiring	Each light box must have direct connection to power supply. Do not wire light boxes in series
Connector	2.1 / 5.5 mm barrel plug. Standard 5' (1500 mm), optional 10' (3000 mm)
Certification	UL listed (E334549, E346146)
Physical	
Color Temperature	3000 K  3500 K  4100 K  5300 K  6300 K 
High CRI	≥ 90 available (12 VDC only) in 3000 K, 4100 K, 5300 K
Mounting	Wall mounted with z-bars or optional cable hanging set x 2 pcs (sold separately)
Operating Temperature	-30 °C (-22 °F) ~ +40 °C (+104 °F)
Environment	Dry location only (standard)
Minimum Size	6" (76 mm) L x 6" (76 mm) W x 7/8" (22 mm) D
Maximum Size	118" (2997 mm) L x 59" (1498 mm) W x 7/8" (22 mm) D
Thickness	7/8" (22 mm)
Weight	Approx. 2.6 lbs / sq ft
Frame	
Frame Material	Anodized frame
Frame Colors	Silver / Black / Custom color
Fabric Silicone Beading (Gasket) Size*	Recommended: 0.1574" (4 mm) thick x 0.69" (17 mm) deep

- Notes:
- * Calculating Finished Print Size With Silicone Beading: LumiFabric width (O.D +1.00") x light box height (O.D) +1.00")
 Note: Calculation is for reference only. Different fabric materials have varying stretch which may require a +/- adjustment. DLC strongly recommends that customers mock up their graphics and sizing with their printer of choice
 - Acrylic and other manufacturing components and methods may contribute to an expansion or contraction of sizes based on environmental or tooling factors. Please allow a minimum of ± 1/8" (3.175 mm) to compensate for any changes in the outside dimensions of this product
 - LED Kelvin temperatures listed in this literature have been derived from raw LED data. Actual Kelvin ratings can vary +/- 200 K based upon environmental conditions including but not limited to inclusion into LGPs and the use of diffusion materials. A precise ANSI bin control system is utilized to help maintain LED conformity and to minimize variances
 - DLC strives to maintain tight control over specification factors. However, specifications are subject to change on rare occasion. These changes may not be reflected here

ORDER INFORMATION						
Series #	Frame Color	Size: Length x Width (inch/mm)	Color Temperature	Illuminated Face Option	Cable Length	LED Location
LLB12-18 LLB24-18	S: Silver B: Black CC: Custom color	OD: Frame outside dimension GS: Graphic size VA: Visual area	3000 K 3500 K 4100 K 5300 K 6300 K CCT (optional) High CRI	SFI: Single face	WL15: 5' (1500 mm) power cord with 2.1 / 5.5 mm barrel plug WL30: 10' (3000 mm) power cord with 2.1 / 5.5 mm barrel plug	L1: LEDs along 1 long edge L2: LEDs along 2 long edges S1: LEDs along 1 short edge S2: LEDs along 2 short edges S4: LEDs along all edges