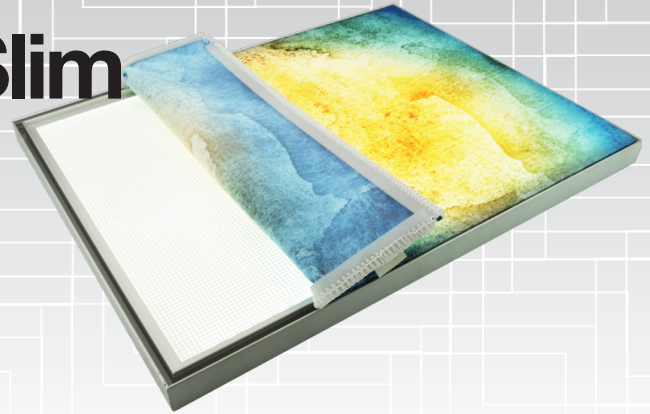




# LumiFabric Ultra Slim

Lightest and Thinnest LED Fabric LightBox

221



LumiFabric light box combines bold design with flexibility and ease of use. We print your image using dye sublimation on fabric, so you see brilliant images with no shine or sheen. The printed fabric is then placed in front of our super slim 2 mm LumiLite panel. This option offers an even and consistent light output with a lightweight panel. The LumiFabric UltraSlim frame is nearly invisible.

Installation is quick, and graphics can be changed in minutes. To top it off, LumiFabric is maintenance free with a long life span.

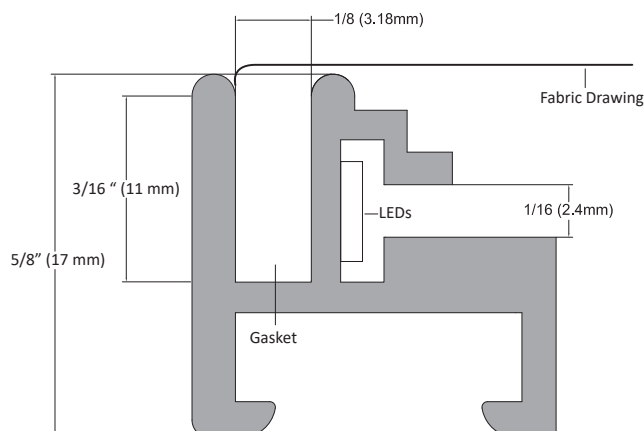
## FEATURES

- ✓ Any size - Custom up to 4' by 8'
- ✓ Lightweight
- ✓ Frameless profile
- ✓ Dye sublimation print - Vibrant Graphics
- ✓ Cost effective
- ✓ Easy to ship
- ✓ Easy to install
- ✓ Even & consistent illumination
- ✓ Energy saving and maintenance free
- ✓ Advanced 3-year warranty

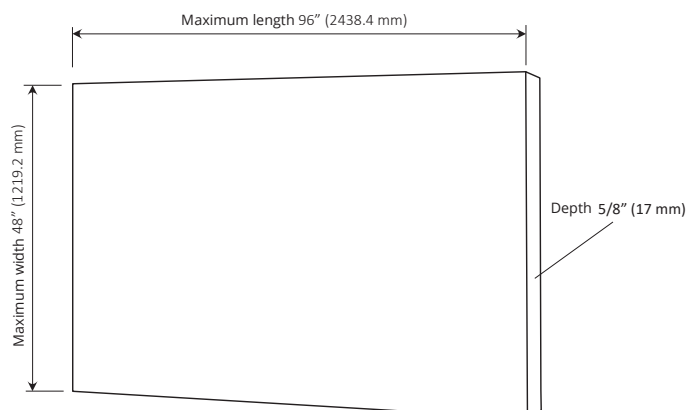


## Lit with 2 mm LumiLite

## PROFILE VIEW



## FRONT VIEW



## FRONT VIEW

## SPECIFICATIONS

Electrical	
<b>Input Voltage</b>	24 VDC
<b>Power Consumption</b>	5.2 W/ft (standard)
<b>Wire Size</b>	20 AWG 2 wire
<b>Wiring</b>	Each light box must have direct connection to power supply. Do not wire light boxes in series
<b>Connector</b>	2.1 / 5.5 mm barrel plug. Standard 5' (1500 mm), optional 10' (3000 mm)
<b>Certification</b>	UL recognized component (E362079), UL listed (E334549)
Physical	
<b>Color Temperature</b>	2700 K (± 200 K) <span style="color: orange;">■</span> 5000 K (± 200 K) <span style="color: lightblue;">■</span> 6500 K (± 200 K) <span style="color: lightblue;">■</span>
<b>Mounting</b>	Wall mounted with screws or z-clips, optional cable hanging set x 2 pcs (sold separately)
<b>Operating Temperature</b>	-30 °C (-22 °F) ~ +40 °C (+104 °F)
<b>Environment</b>	Dry location only (standard)
<b>Minimum Size</b>	6" (76 mm) L x 6" (76 mm) W x 5/8" (17 mm) D
<b>Maximum Size</b>	96" (2440 mm) L x 48" (1220 mm) W x 5/8" (17 mm) D
<b>Weight</b>	Approx. 0.55 lbs / sq ft
Frame	
<b>Frame Material</b>	Anodized frame
<b>Frame Colors</b>	Silver / Black
<b>Fabric Silicone Beading (Gasket) Size*</b>	Recommended: .11" (2.8 mm) thick x 0.43" (11 mm) deep

- Notes:
- Calculating Finished Print Size With Silicone Beading: LumiFabric width (O.D + 1.00") x light box height (O.D) + 1.00")  
Note: Calculation is for reference only. Different fabric materials have varying stretch which may require a +/- adjustment. DLC strongly recommends that customers mock up their graphics and sizing with their printer of choice
  - Acrylic and other manufacturing components and methods may contribute to an expansion or contraction of sizes based on environmental or tooling factors. Please allow a minimum of ± 1/8" (3.175 mm) to compensate for any changes in the outside dimensions of this product
  - LED Kelvin temperatures listed in this literature have been derived from raw LED data. Actual Kelvin ratings can vary +/- 200 K based upon environmental conditions including but not limited to inclusion into LGPs and the use of diffusion materials. A precise ANSI bin control system is utilized to help maintain LED conformity and to minimize variances
  - DLC strives to maintain tight control over specification factors. However, specifications are subject to change on rare occasion. These changes may not be reflected here