

Lumi Light Box #15

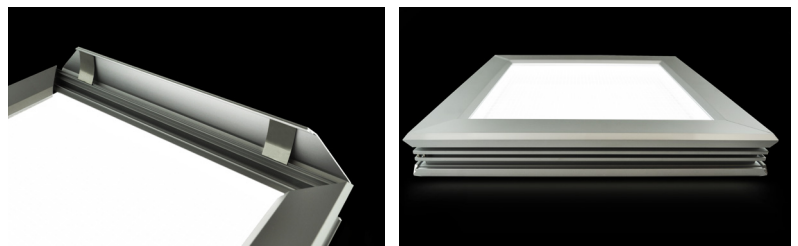
Double-Sided LED Light Box
With Snap Frame



Maximize your space with Lumi Light Box #15 double-sided light box. Illuminated with the patented LumiSheet for even and bright graphics. The perfect choice for light box window displays or suspended ceiling light boxes.

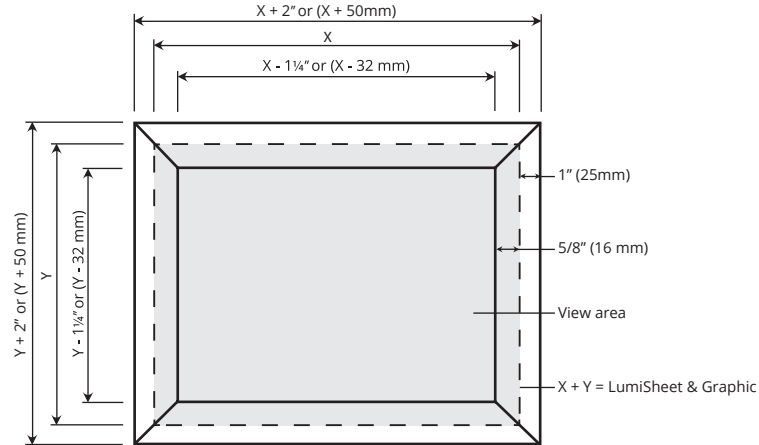
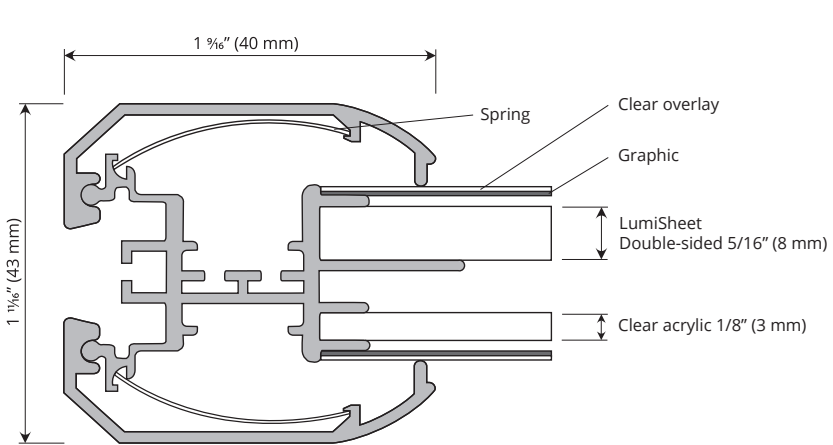
FEATURES

- ✓ Any size up to 5' x 10' (1.5 m x 3 m)
- ✓ Double-sided
- ✓ Super bright
- ✓ Snap frame for quick graphic changes
- ✓ Even & consistent illumination
- ✓ Energy saving and maintenance free (70% energy savings over traditional lighting)
- ✓ Superior consistent light quality
- ✓ Advanced 3-year warranty








PROFILE VIEW

FRONT VIEW



SPECIFICATIONS

Electrical	
Input Voltage	12 VDC 24 VDC (optional)
Power Consumption	4.0 W/ft (standard), 5.0 W/ft (high output)
Wire Size	20 AWG 2 wire
Wiring	Each light box must have direct connection to power supply. Do not wire light boxes in series
Connector	2.1 / 5.5 mm barrel plug. Standard 5' (1500 mm), optional 10' (3000 mm)
Certification	UL listed (E334549)
Physical	
Color Temperature	3000 K  3500 K  4100 K  5300 K  6300 K 
High CRI	≥ 90 available (12 VDC only) in 3000 K, 4100 K, 5300 K
Mounting	Hanging with aircraft cables
Operating Temperature	-30 °C (-22 °F) ~ +40 °C (+104 °F)
Environment	Dry location only (standard)
Minimum Size	11" (279 mm) L x 8 1/2" (216 mm) W
Maximum Size	118" (2997 mm) L x 59" (1498 mm) W
Weight	1.95 lbs / sq ft + frame (9.54 kg / sq m + frame)
Frame	
Frame Width	1 5/16" (40 mm)
Frame Thickness	1 1/16" (43 mm)
Frame Material	Anodized snap frame
Frame Colors	Silver / Black / Custom color

ORDER INFORMATION						
Series #	Frame Color	Size: Length x Width (inch/mm)	Color Temperature	Illuminated Face Option	Cable Length	LED Location
LLB12-15 LLB24-15	S: Silver B: Black CC: Custom color	OD: Frame outside dimension GS: Graphic size VA: Visual area	3000 K 3500 K 4100 K 5300 K 6300 K High CRI	DFI: Double face	WL15: 5' (1500 mm) power cord with 2.1 / 5.5 mm barrel plug WL30: 10' (3000 mm) power cord with 2.1 / 5.5 mm barrel plug	L1: LEDs along 1 long edge L2: LEDs along 2 long edges S1: LEDs along 1 short edge S2: LEDs along 2 short edges S4: LEDs along all edges C1: Custom illumination

Notes:

- Acrylic and other manufacturing components and methods may contribute to an expansion or contraction of sizes based on environmental or tooling factors. Please allow a minimum of ± 1/8" (3.175 mm) to compensate for any changes in the outside dimensions of this product
- LED Kelvin temperatures listed in this literature have been derived from raw LED data. Actual Kelvin ratings can vary +/- 200 K based upon environmental conditions including but not limited to inclusion into LGPs and the use of diffusion materials. A precise ANSI bin control system is utilized to help maintain LED conformity and to minimize variances
- DLC strives to maintain tight control over specification factors. However, specifications are subject to change on rare occasion. These changes may not be reflected here