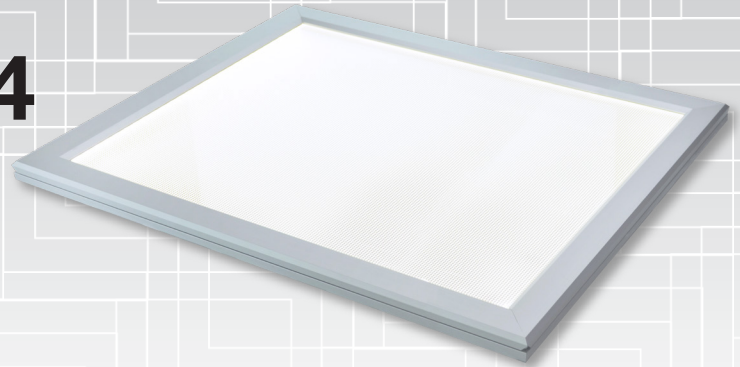


Lumi Light Box #14

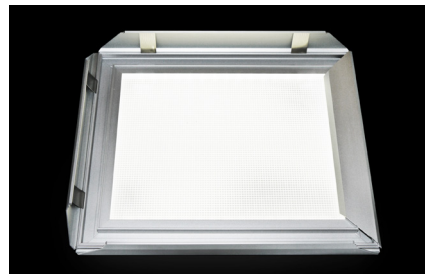
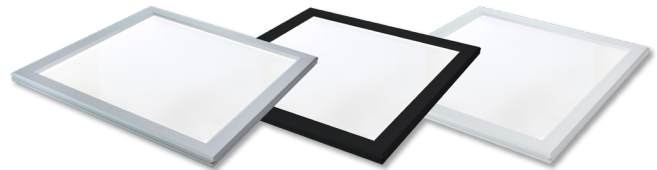
LED Light Box with Snap Frame



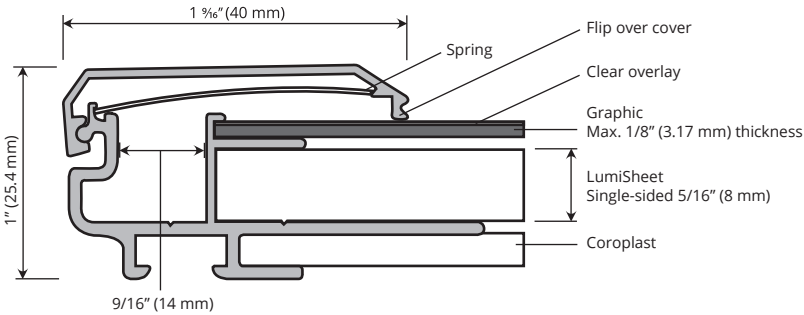
Slim, bright, and sturdy. This snap frame allows easy graphic changes in a robust LED light box with an optional locking feature. Because of its strength, Lumi Light Box #14 is the perfect option for larger applications. Backlit with LumiSheet LED light panel for bright, even, lasting illumination.

FEATURES

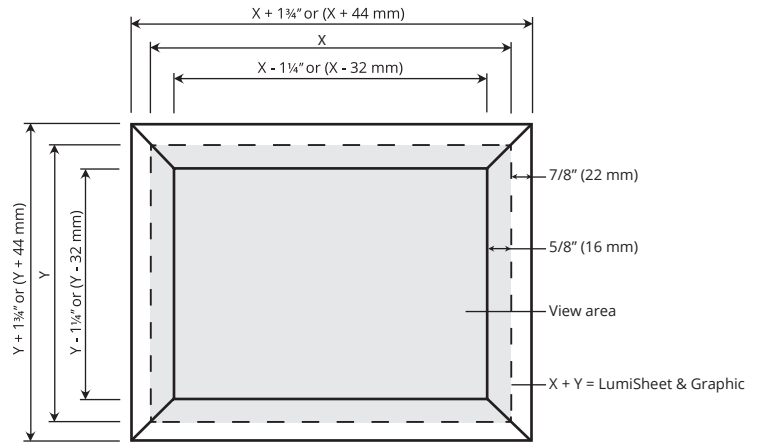
- ✓ Any size up to 10' (3 m) x 5' (1.5 m)
- ✓ Slim and super bright
- ✓ Snap frame for quick graphic changes
- ✓ Easy to install
- ✓ Even & consistent illumination
- ✓ Energy saving and maintenance free
- ✓ Advanced 3-year warranty








PROFILE VIEW



FRONT VIEW



SPECIFICATIONS					
Electrical					
Input Voltage	12 VDC		24 VDC (optional)		
Power Consumption	4.0 W/ft (standard), 5.0 W/ft (high output)				
Wire Size	20 AWG 2 wire				
Wiring	Each light box must have direct connection to power supply. Do not wire light boxes in series				
Connector	2.1 / 5.5 mm barrel plug. Standard 5' (1500 mm), optional 10' (3000 mm)				
Certification	UL listed (E334549)				
Physical					
Color Temperature	3000 K 	3500 K 	4100 K 	5300 K 	6300 K 
High CRI	≥ 90 available (12 VDC only) in 3000 K, 4100 K, 5300 K				
Mounting	Wall mounted with euro hangers supplied or pendant with hanging wires				
Operating Temperature	-30 °C (-22 °F) ~ +40 °C (+104 °F)				
Environment	Dry location only (standard)				
Minimum Size	11" (279 mm) L x 8 1/2" (216 mm) W				
Maximum Size	118" (2997 mm) L x 59" (1498 mm) W Clear overlay and backer may not be supplied for sizes over 96" (2438 mm) L x 48" (1219 mm) W				
Weight	1.95 lbs / sq ft + frame (9.54 kg / sq m + frame)				
Frame					
Frame Width	1 5/16" (40 mm)				
Frame Thickness	1" (25.4 mm)				
Frame Material	Anodized snap frame				
Frame Colors	Silver / Black / White / Custom color				

ORDER INFORMATION						
Series #	Frame Color	Size: Length x Width (inch/mm)	Color Temperature	Illuminated Face Option	Cable Length	LED Location
LLB12-14 LLB24-14	S: Silver B: Black W: White CC: Custom color	OD: Frame outside dimension GS: Graphic size VA: Visual area	3000 K 3500 K 4100 K 5300 K 6300 K High CRI	SFI: Single face	WL15: 5' (1500 mm) power cord with 2.1 / 5.5 mm barrel plug WL30: 10' (3000 mm) power cord with 2.1 / 5.5 mm barrel plug	L1: LEDs along 1 long edge L2: LEDs along 2 long edges S1: LEDs along 1 short edge S2: LEDs along 2 short edges S4: LEDs along all edges C1: Custom illumination

- Notes:
- Acrylic and other manufacturing components and methods may contribute to an expansion or contraction of sizes based on environmental or tooling factors. Please allow a minimum of ± 1/8" (3.175 mm) to compensate for any changes in the outside dimensions of this product
 - LED Kelvin temperatures listed in this literature have been derived from raw LED data. Actual Kelvin ratings can vary +/- 200 K based upon environmental conditions including but not limited to inclusion into LGPs and the use of diffusion materials. A precise ANSI bin control system is utilized to help maintain LED conformity and to minimize variances
 - DLC strives to maintain tight control over specification factors. However, specifications are subject to change on rare occasion. These changes may not be reflected here