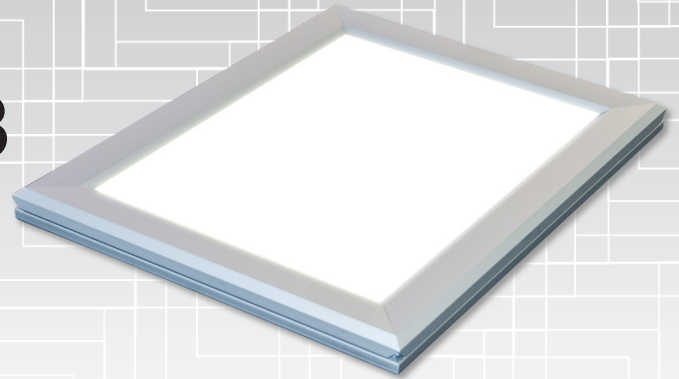


# Lumi Light Box #13

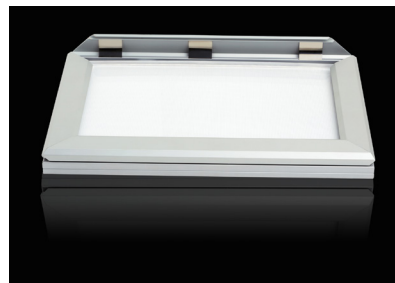
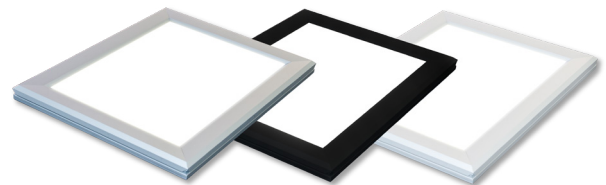
Slim Light Box With Snap Frame



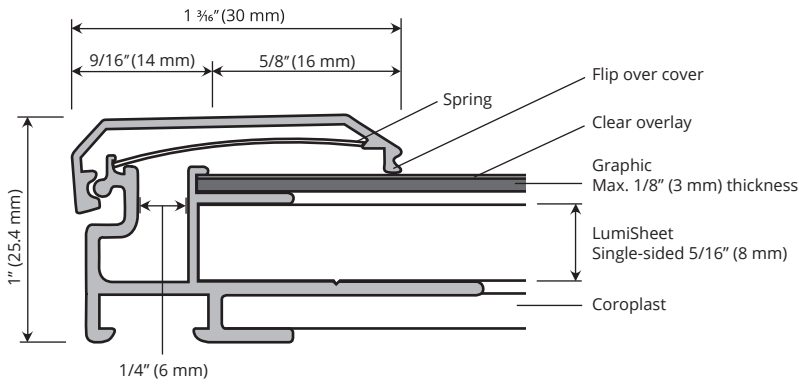
Achieve beautiful illumination in a snap. Lumi Light Box #13 showcases your graphics within a slim, single sided frame. Its snap frame allows quick and easy changing of graphics with an optional locking feature. Best of all, it's lit with LumiSheet LED light panel for an even, consistent light output.

## FEATURES

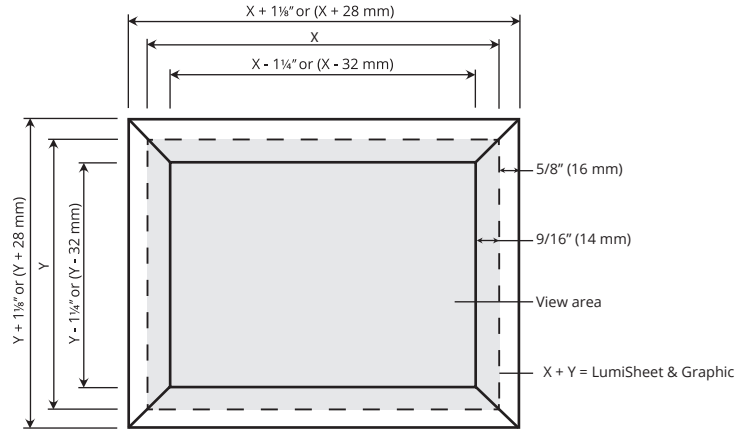
- ✓ Any size up to 10' (3 m) x 5' (1.5 m)
- ✓ Super slim and super bright
- ✓ Snap frame for quick graphic changes
- ✓ Easy to install
- ✓ Even & consistent illumination
- ✓ Energy saving and maintenance free
- ✓ Superior consistent light quality
- ✓ Advanced 3-year warranty








**PROFILE VIEW**



**FRONT VIEW**



**SPECIFICATIONS**

Electrical	
<b>Input Voltage</b>	12 VDC   24 VDC (optional)
<b>Power Consumption</b>	4.0 W/ft (standard), 5.0 W/ft (high output)
<b>Wire Size</b>	20 AWG 2 wire
<b>Wiring</b>	Each light box must have direct connection to power supply. Do not wire light boxes in series
<b>Connector</b>	2.1 / 5.5 mm barrel plug. Standard 5' (1500 mm), optional 10' (3000 mm)
<b>Certification</b>	UL listed (E334549)
Physical	
<b>Color Temperature</b>	3000 K    3500 K    4100 K    5300 K    6300 K 
<b>High CRI</b>	≥ 90 available (12 VDC only) in 3000 K, 4100 K, 5300 K
<b>Mounting</b>	Wall mounted with euro hangers supplied or pendant with hanging wires
<b>Operating Temperature</b>	-30 °C (-22 °F) ~ +40 °C (+104 °F)
<b>Environment</b>	Dry location only (indoor)
<b>Minimum Size</b>	11" (279 mm) L x 8 1/2" (216 mm) W
<b>Maximum Size</b>	118" (2997 mm) L x 59" (1498 mm) W
<b>Weight</b>	1.95 lbs / sq ft + frame (9.54 kg / sq m + frame)
Frame	
<b>Frame Width</b>	1 3/16" (30 mm)
<b>Frame Thickness</b>	1" (25.4 mm)
<b>Frame Material</b>	Anodized snap frame
<b>Frame Colors</b>	Silver / Black / White / Custom color

ORDER INFORMATION						
Series #	Frame Color	Size: Length x Width (inch/mm)	Color Temperature	Illuminated Face Option	Cable Length	LED Location
<b>LLB12-13</b> <b>LLB24-13</b>	<b>S:</b> Silver <b>B:</b> Black <b>W:</b> White <b>CC:</b> Custom color	<b>OD:</b> Frame outside dimension <b>GS:</b> Graphic size <b>VA:</b> Visual area	<b>3000 K</b> <b>3500 K</b> <b>4100 K</b> <b>5300 K</b> <b>6300 K</b> <b>High CRI</b>	<b>SFI:</b> Single face	<b>WL15:</b> 5' (1500 mm) power cord with 2.1 / 5.5 mm barrel plug  <b>WL30:</b> 10' (3000 mm) power cord with 2.1 / 5.5 mm barrel plug	<b>L1:</b> LEDs along 1 long edge <b>L2:</b> LEDs along 2 long edges <b>S1:</b> LEDs along 1 short edge <b>S2:</b> LEDs along 2 short edges <b>S4:</b> LEDs along all edges

- Notes:
- Acrylic and other manufacturing components and methods may contribute to an expansion or contraction of sizes based on environmental or tooling factors. Please allow a minimum of ± 1/8" (3.175 mm) to compensate for any changes in the outside dimensions of this product
  - LED Kelvin temperatures listed in this literature have been derived from raw LED data. Actual Kelvin ratings can vary +/- 200 K based upon environmental conditions including but not limited to inclusion into LGPs and the use of diffusion materials. A precise ANSI bin control system is utilized to help maintain LED conformity and to minimize variances
  - DLC strives to maintain tight control over specification factors. However, specifications are subject to change on rare occasion. These changes may not be reflected here