

# Lumi Light Box #15

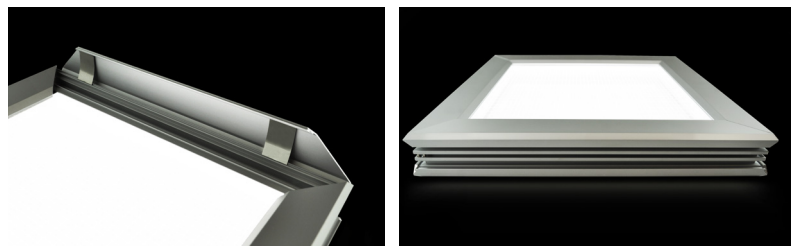
Double-Sided LED Light Box  
With Snap Frame



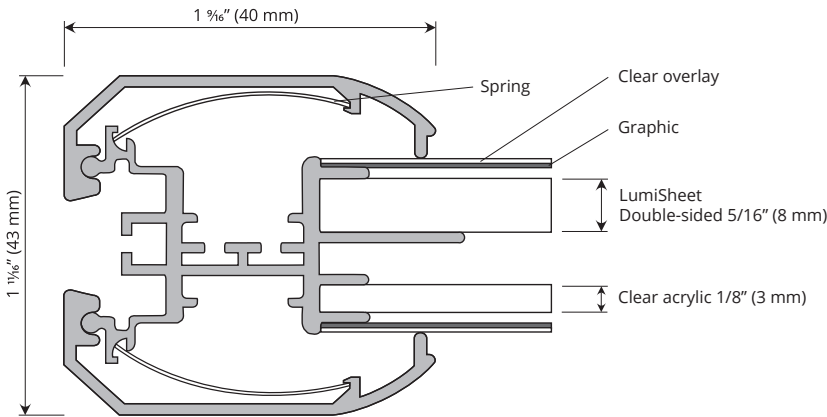
Maximize your space with Lumi Light Box #15 double-sided light box. Illuminated with the patented LumiSheet for even and bright graphics. The perfect choice for light box window displays or suspended ceiling light boxes.

## FEATURES

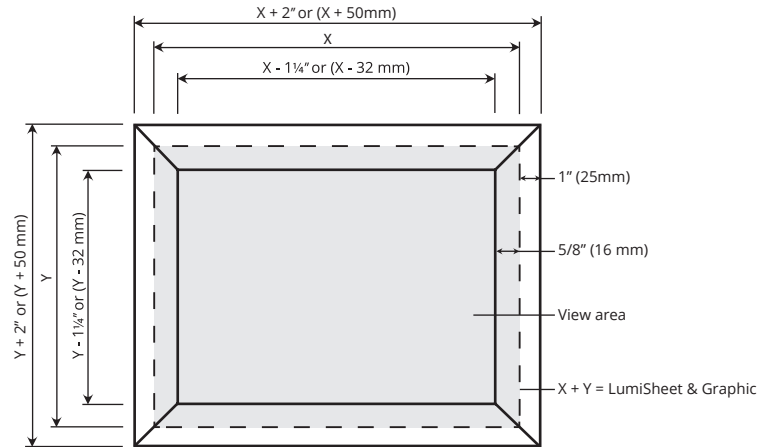
- ✓ Any size up to 10' (3 m) x 5' (1.5 m)
- ✓ Double-sided
- ✓ Super bright
- ✓ Snap frame for quick graphic changes
- ✓ Even & consistent illumination
- ✓ Energy saving and maintenance free (70% energy savings over traditional lighting)
- ✓ Superior consistent light quality
- ✓ Advanced 3-year warranty








**PROFILE VIEW**



**FRONT VIEW**



**SPECIFICATIONS**

Electrical					
<b>Input Voltage</b>	12 VDC		24 VDC (optional)		
<b>Power Consumption</b>	4.0 W/ft (standard), 5.0 W/ft (high output)				
<b>Wire Size</b>	20 AWG 2 wire				
<b>Wiring</b>	Each light box must have direct connection to power supply. Do not wire light boxes in series				
<b>Connector</b>	2.1 / 5.5 mm barrel plug. Standard 5' (1500 mm), optional 10' (3000 mm)				
<b>Certification</b>	UL listed (E334549)				
Physical					
<b>Color Temperature</b>	3000 K 	3500 K 	4100 K 	5300 K 	6300 K 
<b>High CRI</b>	≥ 90 available (12 VDC only) in 3000 K, 4100 K, 5300 K				
<b>Mounting</b>	Hanging with aircraft cables				
<b>Operating Temperature</b>	-30 °C (-22 °F) ~ +40 °C (+104 °F)				
<b>Environment</b>	Dry location only (standard)				
<b>Minimum Size</b>	11" (279 mm) L x 8 1/2" (216 mm) W				
<b>Maximum Size</b>	118" (2997 mm) L x 59" (1498 mm) W				
<b>Weight</b>	1.95 lbs / sq ft + frame (9.54 kg / sq m + frame)				
Frame					
<b>Frame Width</b>	1 5/16" (40 mm)				
<b>Frame Thickness</b>	1 11/16" (43 mm)				
<b>Frame Material</b>	Anodized snap frame				
<b>Frame Colors</b>	Silver / Black / Custom color				

ORDER INFORMATION						
Series #	Frame Color	Size: Length x Width (inch/mm)	Color Temperature	Illuminated Face Option	Cable Length	LED Location
<b>LLB12-15</b> <b>LLB24-15</b>	<b>S:</b> Silver <b>B:</b> Black <b>CC:</b> Custom color	<b>OD:</b> Frame outside dimension <b>GS:</b> Graphic size <b>VA:</b> Visual area	<b>3000 K</b> <b>3500 K</b> <b>4100 K</b> <b>5300 K</b> <b>6300 K</b> <b>High CRI</b>	<b>DFI:</b> Double face	<b>WL15:</b> 5' (1500 mm) power cord with 2.1 / 5.5 mm barrel plug  <b>WL30:</b> 10' (3000 mm) power cord with 2.1 / 5.5 mm barrel plug	<b>L1:</b> LEDs along 1 long edge <b>L2:</b> LEDs along 2 long edges <b>S1:</b> LEDs along 1 short edge <b>S2:</b> LEDs along 2 short edges <b>S4:</b> LEDs along all edges <b>C1:</b> Custom illumination

Notes:

- Acrylic and other manufacturing components and methods may contribute to an expansion or contraction of sizes based on environmental or tooling factors. Please allow a minimum of ± 1/8" (3.175 mm) to compensate for any changes in the outside dimensions of this product
- LED Kelvin temperatures listed in this literature have been derived from raw LED data. Actual Kelvin ratings can vary +/- 200 K based upon environmental conditions including but not limited to inclusion into LGPs and the use of diffusion materials. A precise ANSI bin control system is utilized to help maintain LED conformity and to minimize variances
- DLC strives to maintain tight control over specification factors. However, specifications are subject to change on rare occasion. These changes may not be reflected here