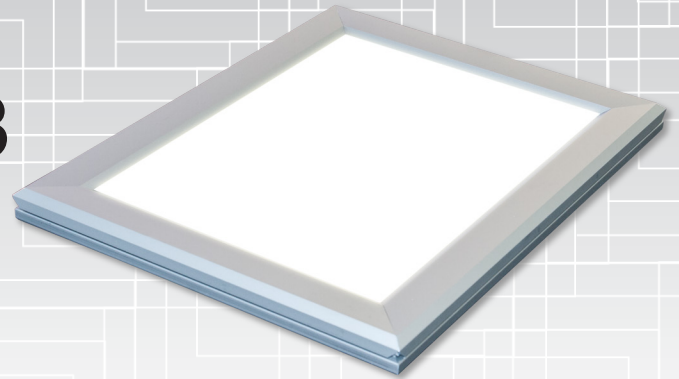


Lumi Light Box #13

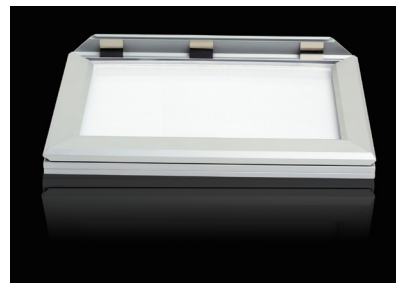
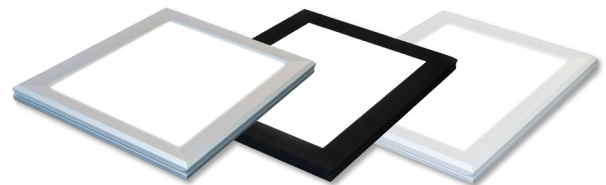
Slim Light Box With Snap Frame



Achieve beautiful illumination in a snap. Lumi Light Box #13 showcases your graphics within a slim, single sided frame. Its snap frame allows quick and easy changing of graphics with an optional locking feature. Best of all, it's lit with LumiSheet LED light panel for an even, consistent light output.

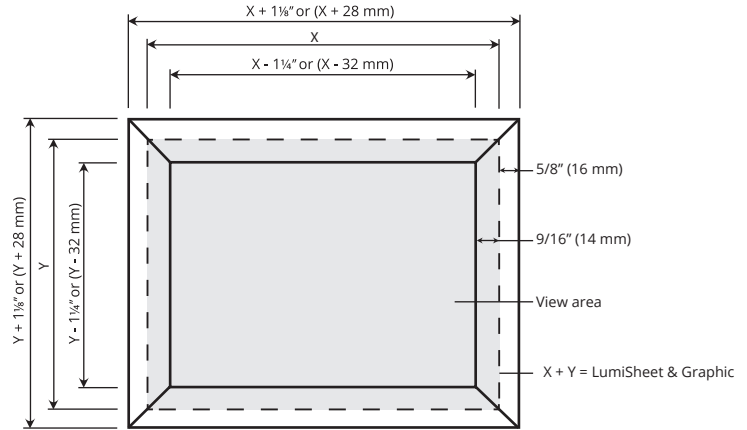
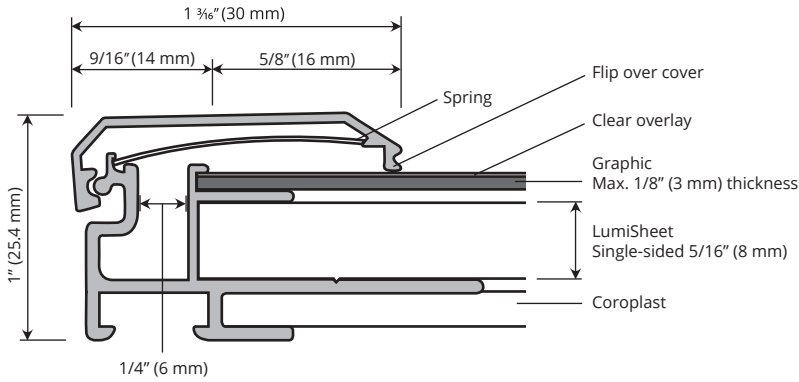
FEATURES

- ✓ Any size up to 10' (3 m) x 5' (1.5 m)
- ✓ Super slim and super bright
- ✓ Snap frame for quick graphic changes
- ✓ Easy to install
- ✓ Even & consistent illumination
- ✓ Energy saving and maintenance free (70% energy savings over traditional lighting)
- ✓ Superior consistent light quality
- ✓ Advanced 3-year warranty



PROFILE VIEW

FRONT VIEW



SPECIFICATIONS

Electrical	
Input Voltage	12 VDC 24 VDC (optional)
Power Consumption	4.0 W/ft (standard), 5.0 W/ft (high output)
Wire Size	20 AWG 2 wire
Wiring	Each light box must have direct connection to power supply. Do not wire light boxes in series
Connector	2.1 / 5.5 mm barrel plug. Standard 5' (1500 mm), optional 10' (3000 mm)
Certification	UL listed (E334549)
Physical	
Color Temperature	3000 K 3500 K 4100 K 5300 K 6300 K
High CRI	≥ 90 available (12 VDC only) in 3000 K, 4100 K, 5300 K
Mounting	Wall mounted with euro hangers supplied or pendant with hanging wires
Operating Temperature	-30 °C (-22 °F) ~ +40 °C (+104 °F)
Environment	Dry location only (indoor)
Minimum Size	11" (279 mm) L x 8 1/2" (216 mm) W
Maximum Size	118" (2997 mm) L x 59" (1498 mm) W
Weight	1.95 lbs / sq ft + frame (9.54 kg / sq m + frame)
Frame	
Frame Width	1 3/16" (30 mm)
Frame Thickness	1" (25.4 mm)
Frame Material	Anodized snap frame
Frame Colors	Silver / Black / White / Custom color

ORDER INFORMATION						
Series #	Frame Color	Size: Length x Width (inch/mm)	Color Temperature	Illuminated Face Option	Cable Length	LED Location
LLB12-13 LLB24-13	S: Silver B: Black W: White CC: Custom color	OD: Frame outside dimension GS: Graphic size VA: Visual area	3000 K 3500 K 4100 K 5300 K 6300 K High CRI	SFI: Single face	WL15: 5' (1500 mm) power cord with 2.1 / 5.5 mm barrel plug WL30: 10' (3000 mm) power cord with 2.1 / 5.5 mm barrel plug	L1: LEDs along 1 long edge L2: LEDs along 2 long edges S1: LEDs along 1 short edge S2: LEDs along 2 short edges S4: LEDs along all edges

- Notes:
- Acrylic and other manufacturing components and methods may contribute to an expansion or contraction of sizes based on environmental or tooling factors. Please allow a minimum of ± 1/8" (3.175 mm) to compensate for any changes in the outside dimensions of this product
 - LED Kelvin temperatures listed in this literature have been derived from raw LED data. Actual Kelvin ratings can vary +/- 200 K based upon environmental conditions including but not limited to inclusion into LGPs and the use of diffusion materials. A precise ANSI bin control system is utilized to help maintain LED conformity and to minimize variances
 - DLC strives to maintain tight control over specification factors. However, specifications are subject to change on rare occasion. These changes may not be reflected here