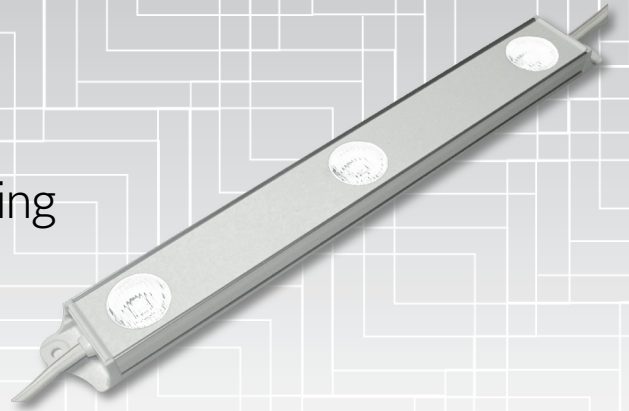


# LED Module 250

High Output Side Lighting / Backlighting  
LED Module



An LED system for single and double face light boxes. Features a 10° x 50° narrow beam angle for even lighting output.

## FEATURES



Outdoor Light  
Boxes



Double-Sided  
Light Boxes



Single-Sided  
Light Boxes

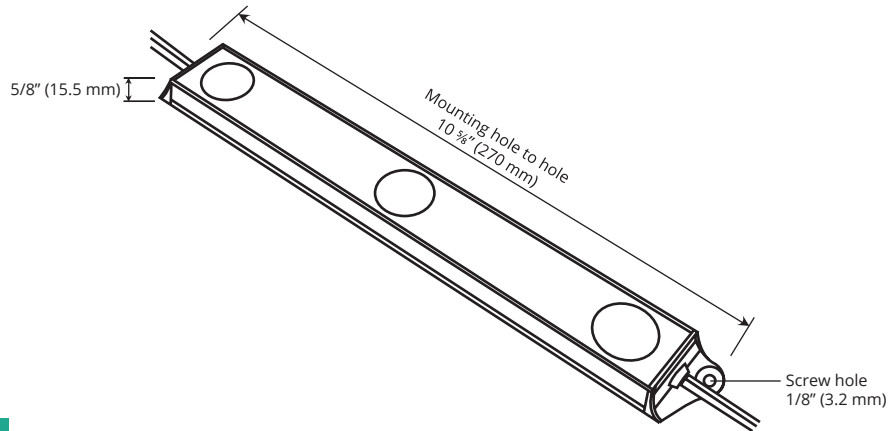


Signage

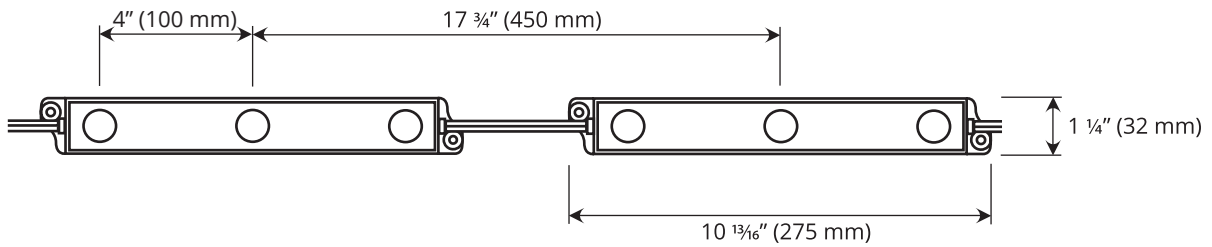
- ✓ Narrow beam angle provides uniform light
- ✓ Great for double sided light boxes
- ✓ 100% waterproof (IP67)
- ✓ High brightness (510 lm at 6500 K, 450 lm at 3000 K)
- ✓ Long LED lifespan (40 000 ~ 50 000 hours)
- ✓ Easy to install
- ✓ Energy saving and maintenance free (70% energy savings over traditional lighting)
- ✓ Superior consistent light quality
- ✓ Advanced 3-year warranty



**PROFILE VIEW**



**FRONT VIEW**



**SPECIFICATIONS**

Electrical	
Input Voltage	12 VDC
Power Consumption	8.4 W (max.) / 2.8 W per LED
Operating Current	0.7A (max.)
Certification	UL recognized component (E258512)
Physical	
Color Temperature	Approx. 6500 K
Mounting	Holes for screw mounting
Operating Temperature	-20 °C (-4 °F) to +70 °C (+158 °F)
Environment	Wet and dry locations
Dimensions	10 13/16" (275 mm) L x 1 1/4" (32 mm) W x 5/8" (15.5 mm) H
Beam Angle	10° x 50° (elliptical)

**ORDER INFORMATION**

Series #	Color Temperature
LLM12-L-250	6500 K

- Notes:
- LED Kelvin temperatures listed in this literature have been derived from raw LED data. Actual Kelvin ratings can vary +/- 200 K based upon environmental conditions including but not limited to inclusion into LGPs and the use of diffusion materials. A precise ANSI bin control system is utilized to help maintain LED conformity and to minimize variances
  - DLC strives to maintain tight control over specification factors. However, specifications are subject to change on rare occasion. These changes may not be reflected here